

List of spare and wear parts

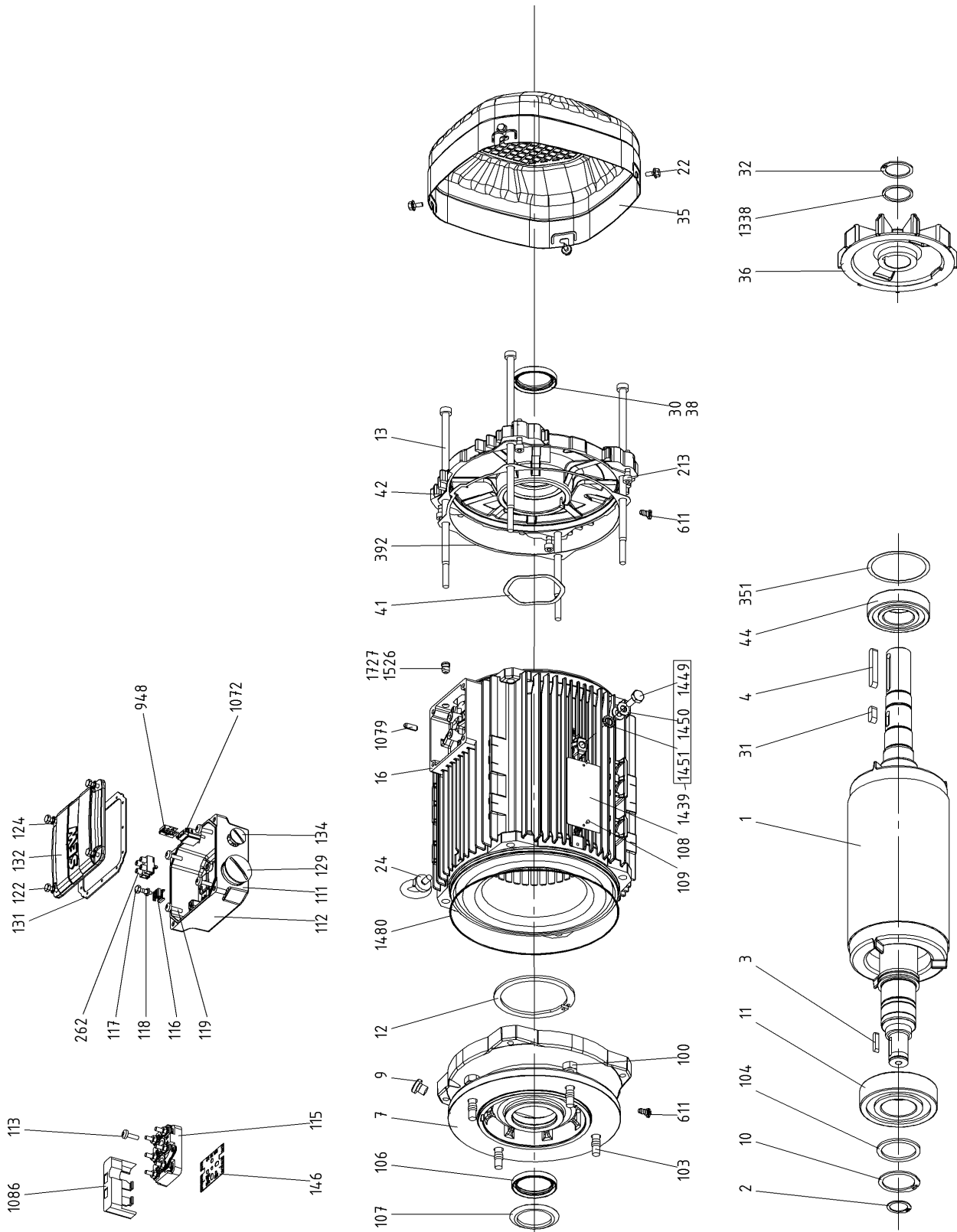
AC motor

DRN160L - 350mm for F107, K107, R/RX107

SEW
EURODRIVE

1 / 2

5-10-17



List of spare and wear parts

AC motor

DRN160L - 350mm for F107, K107, R/RX107

SEW EURODRIVE

2 / 2

5-10-17

Item #	Description	SEW - standard label	Part #	Qty	Wear part
0001	Rotor		20978537	1 PC	
0002	Retaining ring	DIN471 28x1,5-FS	00102768	1 PC	
0003	Key	DIN6885-1 A6x6x28 +C	00100145	1 PC	
0007	Flange	FG300_D350	13613383	1 PC	
0009	Screw plug	W4085 B-M22x1,5-St-	00114316	1 PC	
0010	Retaining ring	DIN471 60x2-FS	0010292X	1 PC	
0011	Deep groove ball bearing	6312-2Z-J-C3-K08 (-20C to +40C)	13227521	1 PC	X
0011	Deep groove ball bearing	6312-2RS-J-C3-K24 (for corrosion protection or extreme temp -40C to +40C, -40C to +60C)	00160911	1 PC	X
0012	Retaining ring	DIN472 130x4-FS	00103306	1 PC	
0014	Disk	ISO7090 10-200HV-A2F	00102385	4 PC	
0015	Hex head screw	ISO4014 M10x40-8.8-A2F-MV	00132683	4 PC	
0016	Stator	4-pole, 230/460 - 60Hz	15177408	1 PC	
0017	Hexagon nut	EN1661 M10-8-A2F	13309730	4 PC	
0019	Cap screw	ISO4762 M10x50-8.8-A2F	00123072	4 PC	
0022	Hex head screw	ISO10644 M8x14-8.8-S1-N-A2F	00136328	4 PC	
0024	Lifting eyebolt		0010230X	1 PC	
0030	Oil seal	DIN AS55x72x8-NBR-OF	13266756	1 PC	X
0031	Key	DIN6885-1 A14x9x36 +C	00116238	1 PC	
0032	Retaining ring	DIN471 48x1,75-FS	00102881	1 PC	
0035	Fan Guard		13634763	1 PC	
0036	Fan		21006245	1 PC	
0041	Cup spring		19123698	4 PC	
0042	B bearing end shield		21005451	1 PC	
0044	Deep groove ball bearing	6212-2Z-J-C3-K08 (-20C to +40C)	19123558	1 PC	X
0044	Deep groove ball bearing	6212-2RS-J-C3-K24 (for corrosion protection or extreme temp -40C to +40C, -40C to +60C)	19123574	1 PC	X
0100	Hexagon nut	ISO4032 M16-8-St-A2F	00102032	4 PC	
0103	Stud	W4058 M16x35-8.8-A2F	00100854	4 PC	
0104	Supporting disc	DIN988 S60x75x3-FS	00103608	1 PC	
0106	Oil seal	W A55x90x8-NBR	0012074X	1 PC	X
0107	Oil flinger		0011667X	1 PC	
0111	Gasket for lower part		13618652	1 PC	
0112	Terminal box lower part		13619497	1 PC	
0116	Serrated lock washer		00107948	1 PC	
0117	Stud	DIN939 M10x30-8.8-A2F-MV	13262580	1 PC	
0118	Disk	ISO7089 10-A2	13264338	1 PC	
0119	Cap screw	ISO4762 M8x25-8.8-A2F	00110345	4 PC	
0123	Hex head screw	ISO4017 M8x25-8.8-A2F	00101125	4 PC	
0128	Serrated lock washer		00107948	1 PC	
0129	Closing plug		00136077	2 PC	
0131	Gasket for cover		13618660	1 PC	
0132	Terminal Box Cover		13618644	1 PC	
0134	Screw plug	W4411 M20x1,5-PA-NBR	13256300	2 PC	
0139	Hex head screw	ISO4017 M10x25-A2-70	13225227	1 PC	
0140	Disk	ISO7089 10-A2	13264338	2 PC	
0219	Hexagon nut	ISO4032 M10-8-St-A2F	00102008	1 PC	
0390	O-ring	W4283 8x3-NBR70	13247735	1 PC	
1181	Accessory bag		13630261	1 PC	
1603	Synthetic grease		04963458	1 PC	

For other optional components that may be installed on your motor, please contact SEW-EURODRIVE with the serial number from your nameplate.