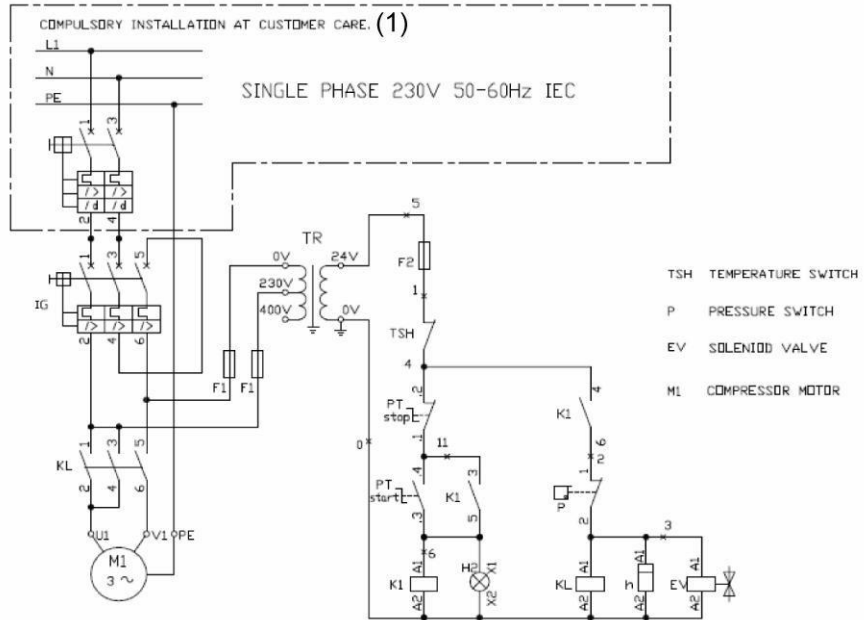


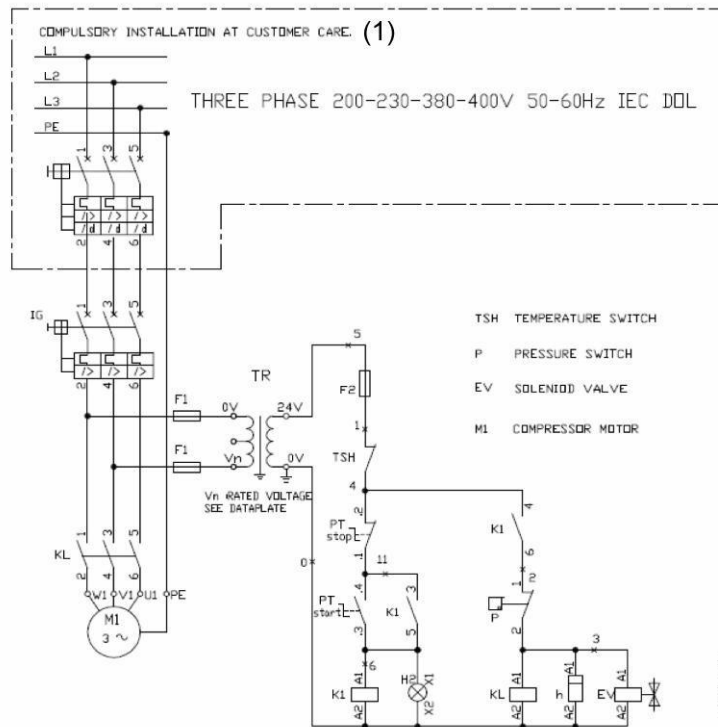
# Atlas Copco

## Electrical diagrams



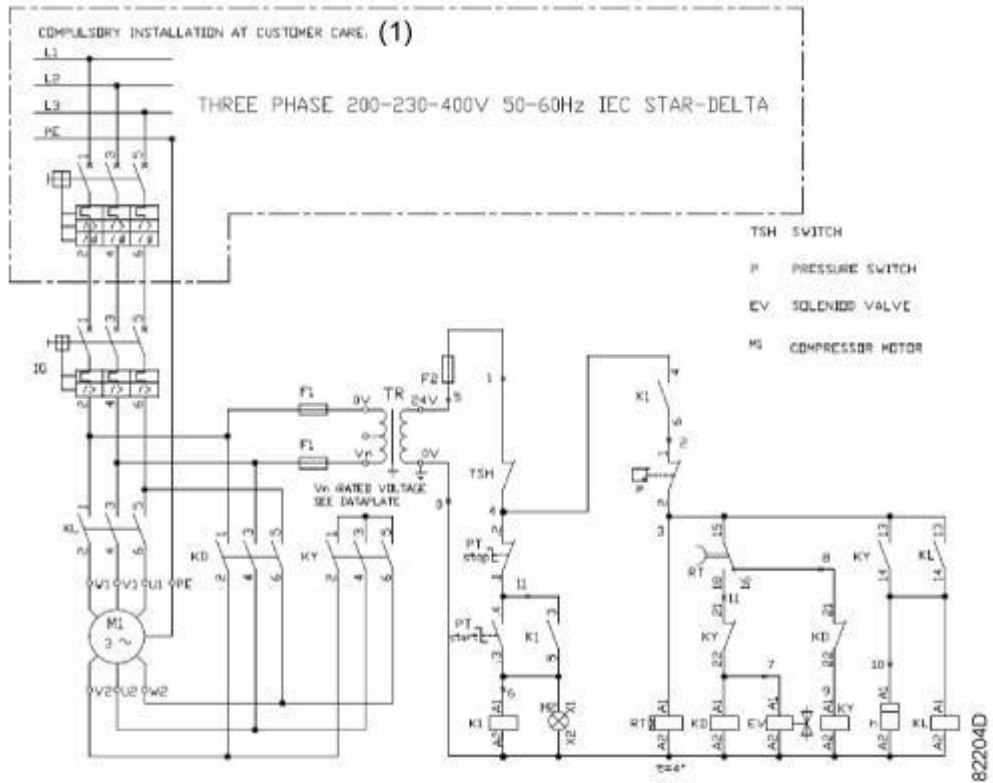
82202D

Service diagram GX 2 - IEC - 1 ph

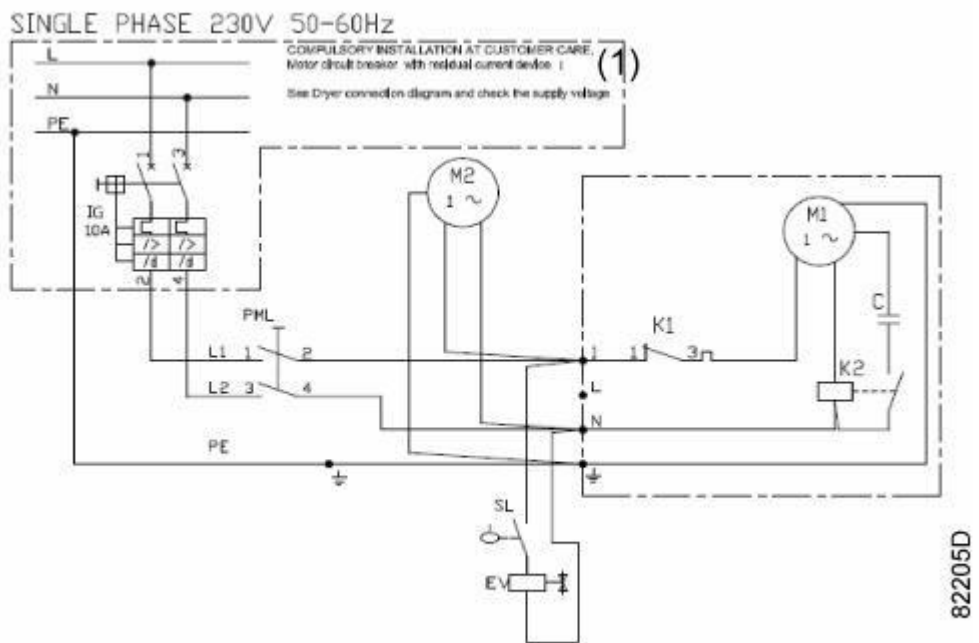


82203D

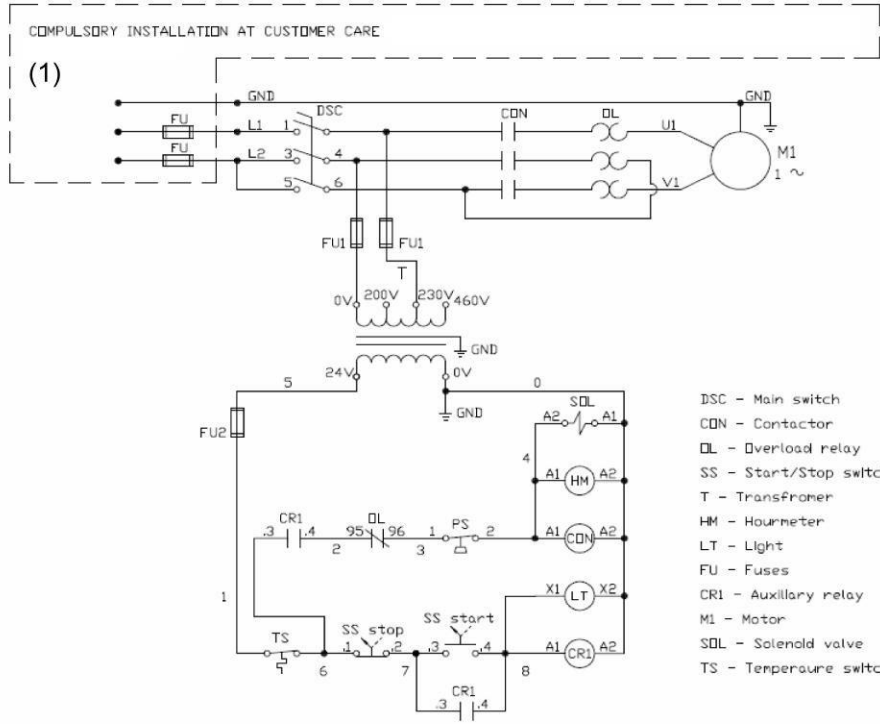
Service diagram GX 2 up to GX 5 - IEC - 3 ph DOL



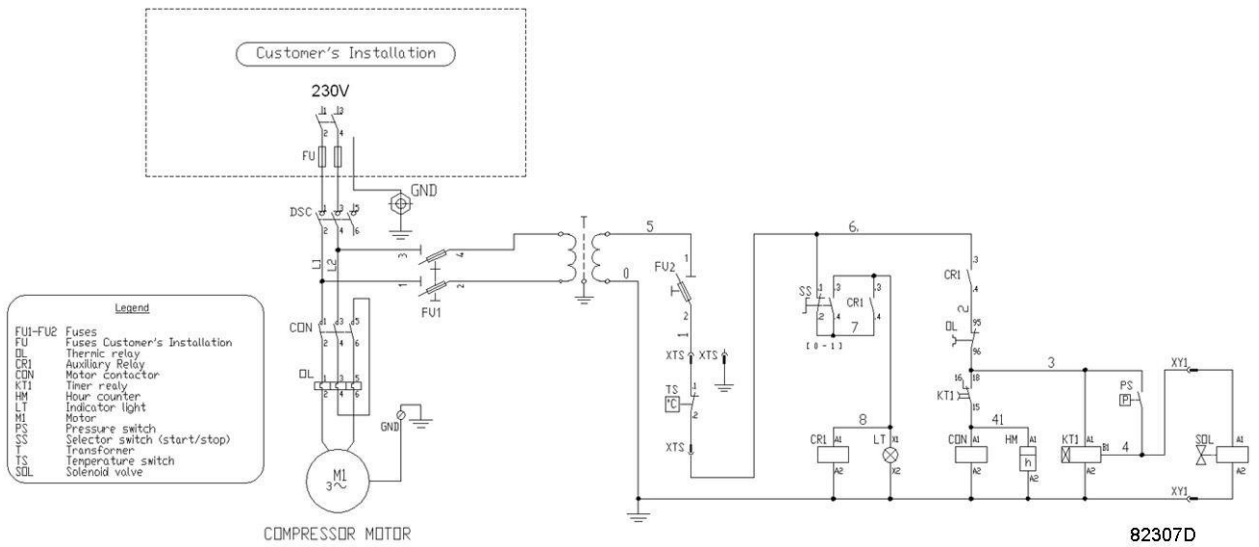
Service diagram GX 2 up to GX 5 - IEC - 3 ph Y-D



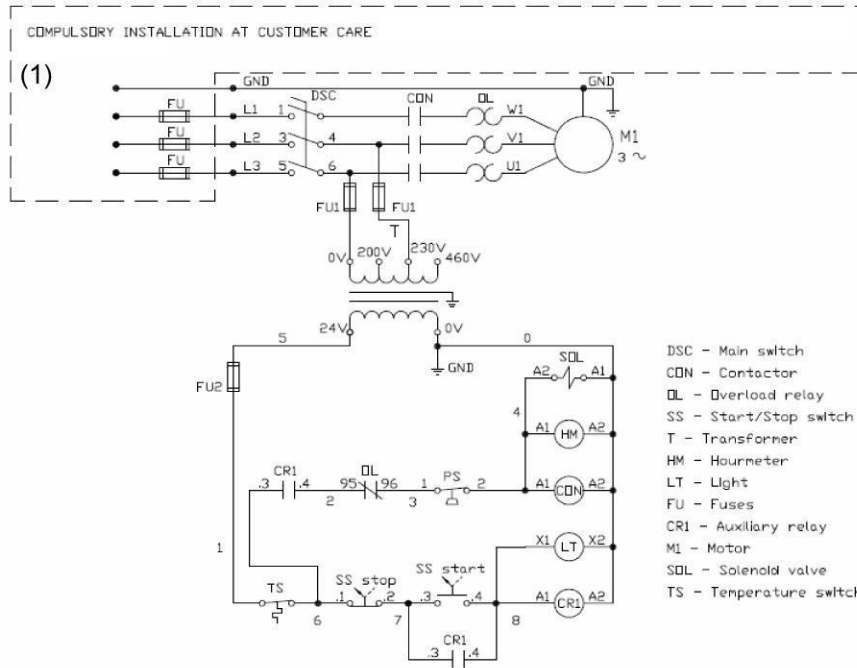
Single phase dryer - 230 V 50/60 Hz



Electrical diagram GX 2 - cULus - 1 ph

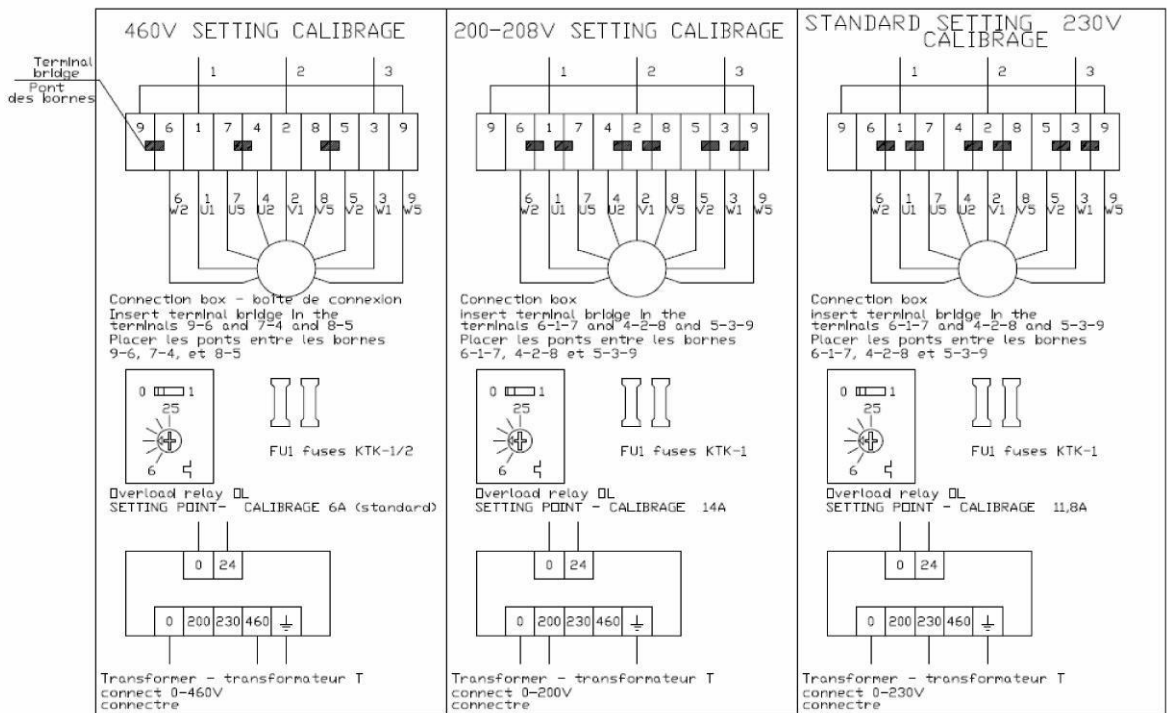


Electrical diagram GX 4 and GX 5 - cULus - 1 ph



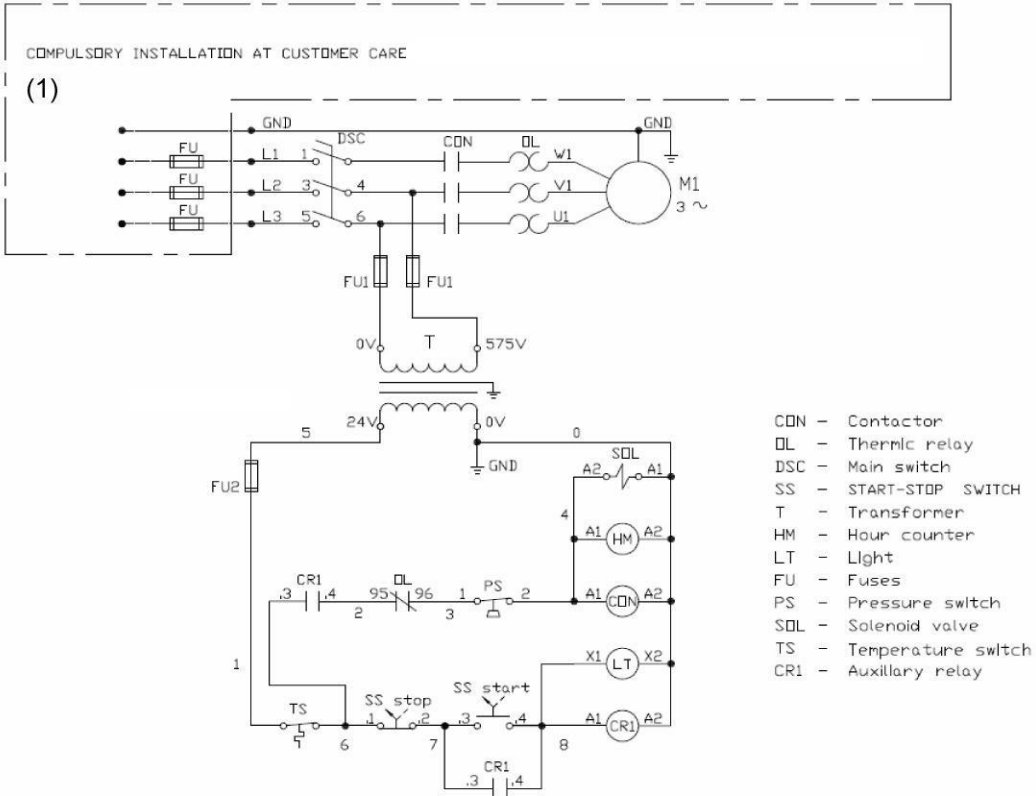
82207D

*Electrical diagram GX 2 up to GX 5 - cULus - 200-208-230-460 V 3 ph*

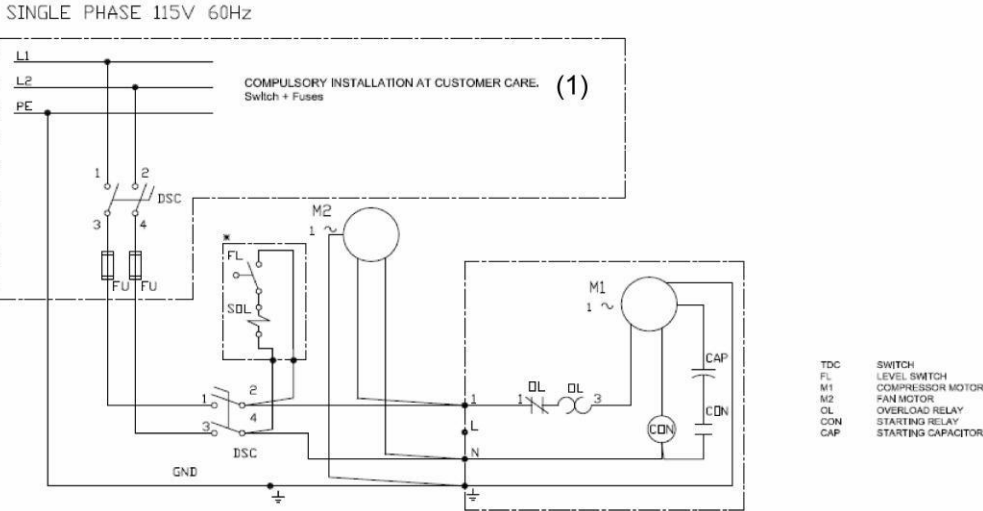


82208D

*Settings GX 2 up to GX 5 for 208-230-460 V 3 ph*



Electrical diagram 575 V 60 Hz cULus

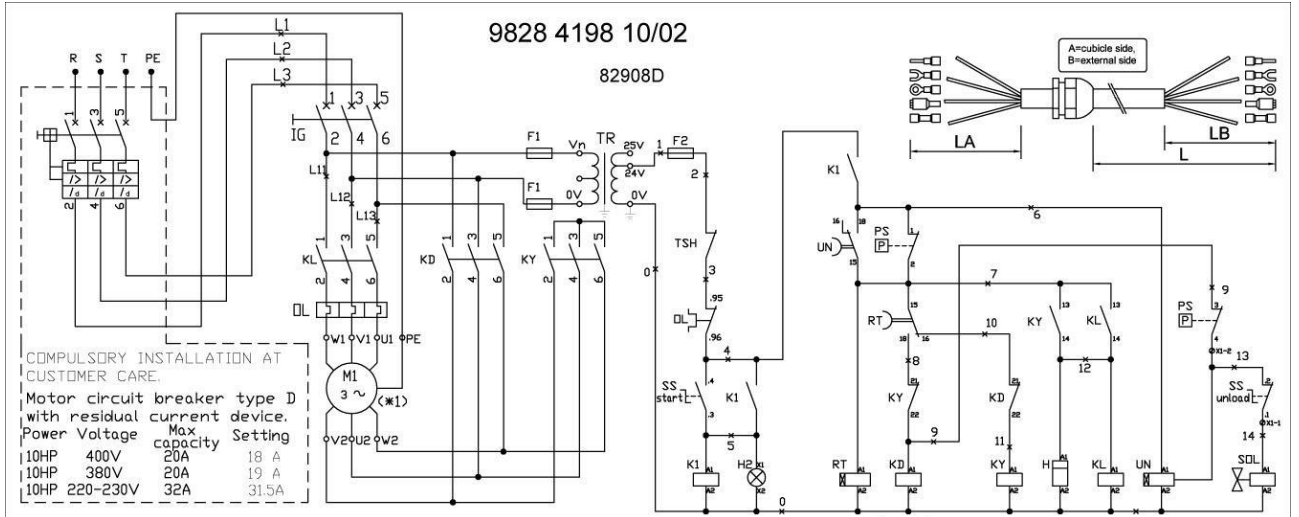


Single phase dryer - 115 V 60 Hz

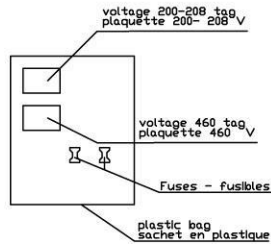
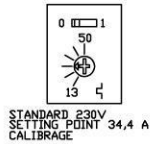
Text on image

(1)	Main switch and fuses to be installed by customer.
-----	--

# GX 7 EP



*IEC units with Y-D start*

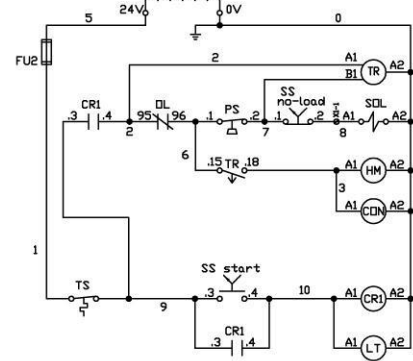
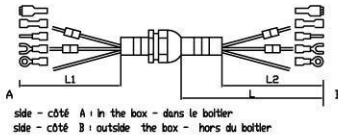
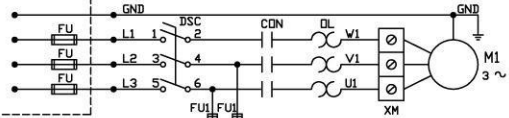


PS: PRESSURE SWITCH - PRESSOSTAT  
SDL: SOLENOID VALVE - ELECTROVALVE  
TS: TEMPERATURE SWITCH  
XM: MOTOR'S CONNECTION TERMINALS

ATTENTION: BEFORE PUTTING INTO SERVICE, CHECK THE ROTATION SENSE OF THE MOTOR, WHICH MUST BE COUNTER-CLOCKWISE, SEEN FROM COUPLING SIDE.

ATTENTION: AVANT LA MISE EN SERVICE, VERIFIEZ LE SENS DE ROTATION, QUI DOIT ETRE ANTIHORAIRE VU DU COTE D'ACCOUPLLEMENT.

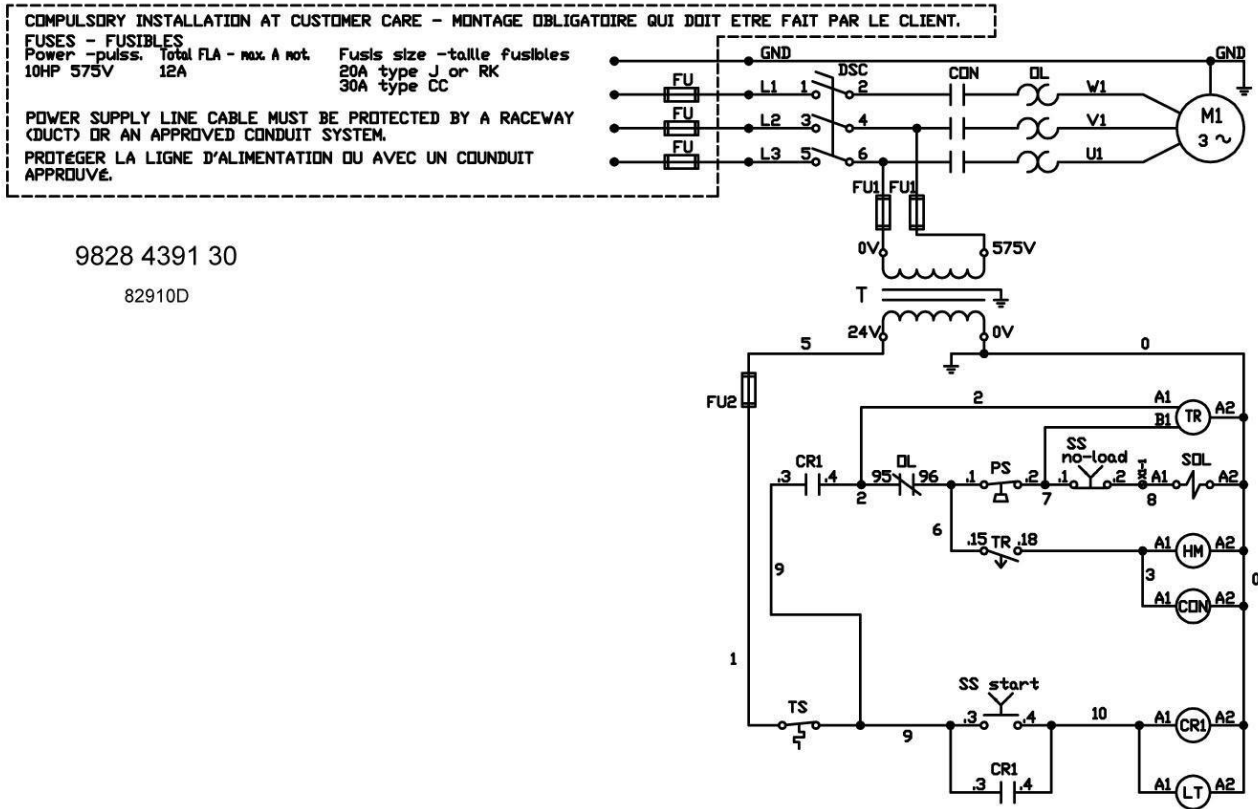
COMPULSORY INSTALLATION AT CUSTOMER CARE - MONTAGE OBLIGATOIRE QUI DOIT ETRE FAIT PAR LE CLIENT.  
FUSES - FUSIBLES  
Power - puissance, Total FLA - max. A mot. Fuses size - taille Fusibles  
10HP 200-208V 31.6A 50A type J or RK  
10HP 230V 25.9A 45A type J or RK  
10HP 460V 14.7A 25A type J or RK  
POWER SUPPLY LINE CABLE MUST BE PROTECTED BY A RACEWAY (DUCT) OR AN APPROVED CONDUIT SYSTEM.  
PROTEGER LA LIGNE D'ALIMENTATION DU AVEC UN CONDUIT APPROUVE.



CONNECTION TAG - PLAQUETTE DE CONNEXION

9828 4391 20/02  
82909D

460V SETTING CALIBRAGE	200-208V SETTING CALIBRAGE	230V STANDARD SETTING CALIBRAGE
<p>Terminal bridge Pont des bornes</p>		
<p>Connection box - boîte de connexion Insert terminal bridge in the terminals 9-6 and 7-4 and 8-5 Placer les ponts entre les bornes 9-6, 7-4, et 8-5</p> <p>FUI fuses KTK-1/2 fusibles</p>	<p>Connection box Insert terminal bridge in the terminals 6-1-7 and 4-2-8 and 5-3-9 Placer les ponts entre les bornes 6-1-7, 4-2-8 et 5-3-9</p> <p>FUI fuses KTK-1 fusibles</p>	<p>Connection box Insert terminal bridge in the terminals 6-1-7 and 4-2-8 and 5-3-9 Placer les ponts entre les bornes 6-1-7, 4-2-8 et 5-3-9</p> <p>FUI fuses KTK-1 fusibles</p>
<p>Overload relay - relais thermique DL SETTING POINT - CALIBRAGE 16.9A</p>	<p>Overload relay - relais thermique DL SETTING POINT CALIBRAGE 36.3A</p>	<p>Overload relay - relais thermique DL SETTING POINT - CALIBRAGE 34.4A</p>
<p>Transformer - transformateur T connect 0-460V connectre</p>	<p>Transformer - transformateur T connect 0-200V connectre</p>	<p>Transformer - transformateur T connect 0-230V connectre</p>



9828 4391 30

82910D

Diagram for 575 V CSA-UL

Fuses and main switch to be installed by the customer. **For full details, always consult the complete service diagram, included in the cubicle of the compressor.**



